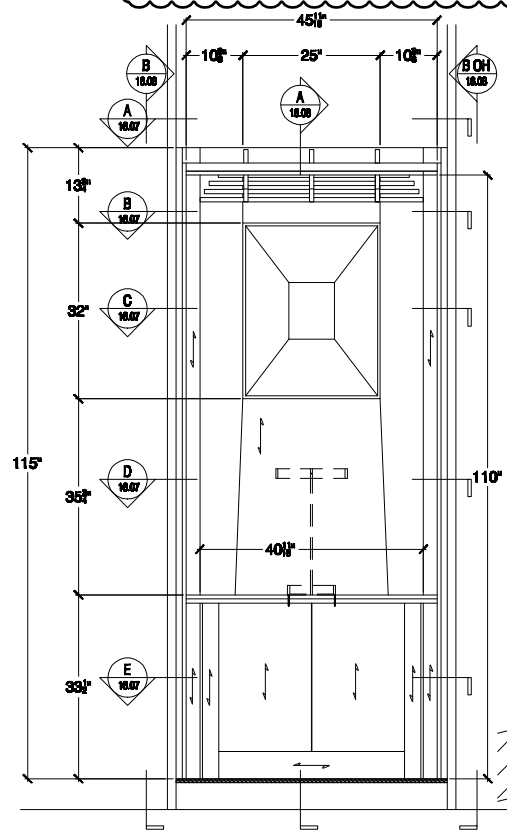
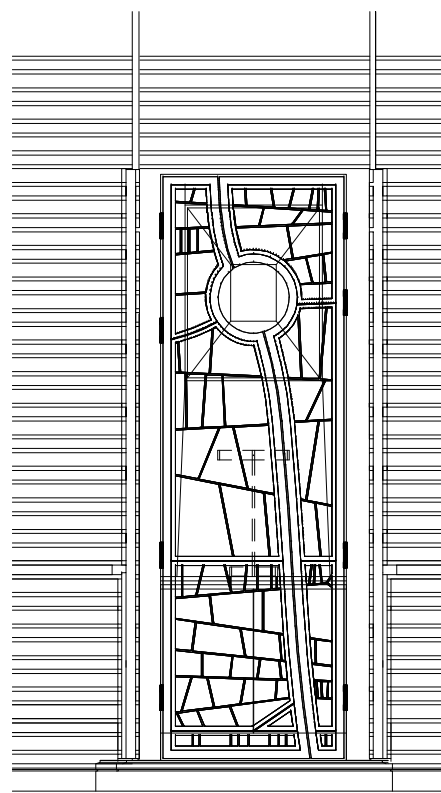


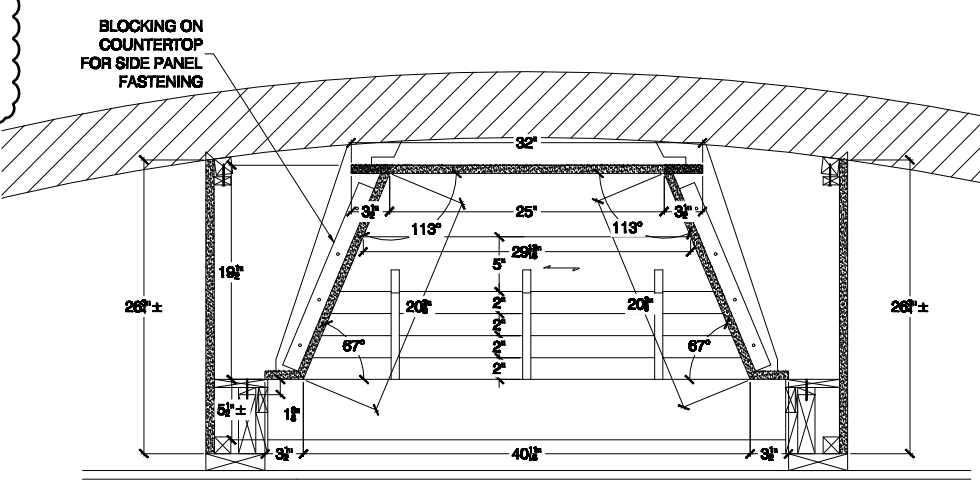
**NOTE: DOORS AND SURROUNDING SLATS NOT SHOWN FOR CLARITY.**



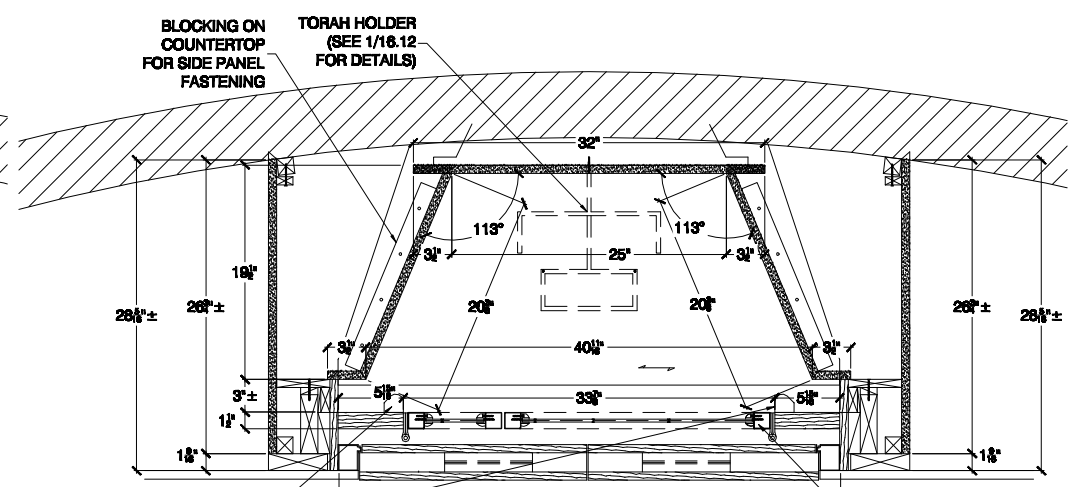
**1** **DETAIL ELEVATION**  
 3/4" = 12" REF: NONE



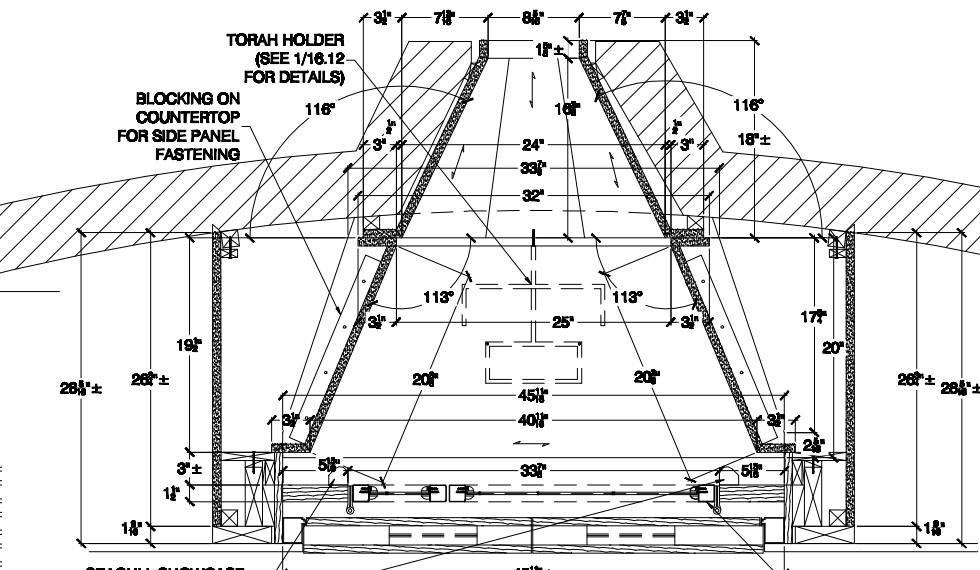
**2** **DETAIL ELEVATION W/DOORS**  
 3/4" = 12" REF: NONE



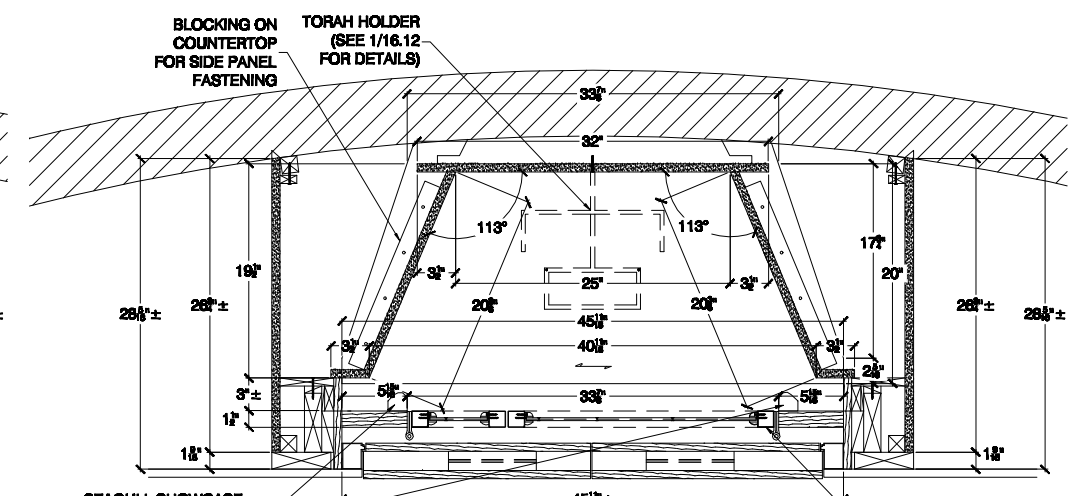
**A** **PLAN SECTION - TORAH ASSEMBLY**  
 1-1/2" = 12" REF: NONE



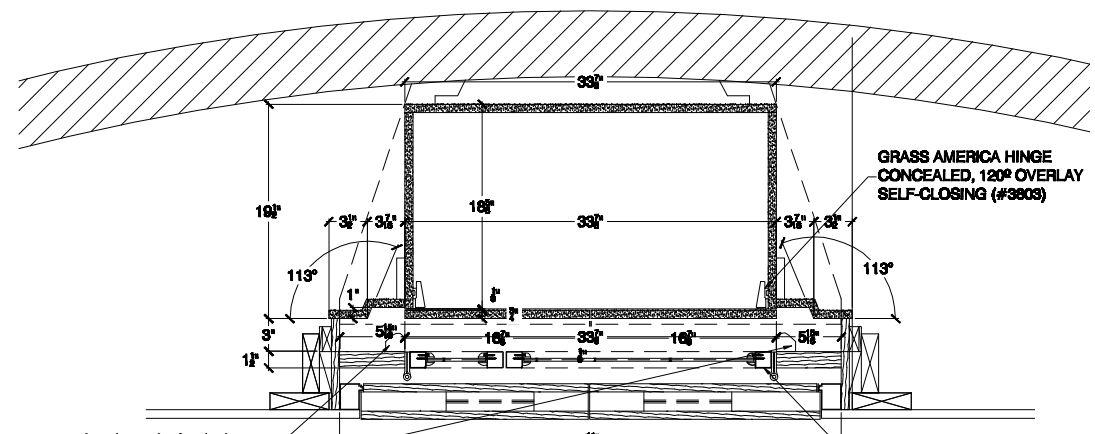
**B** **PLAN SECTION - TORAH ASSEMBLY**  
 1-1/2" = 12" REF: NONE



**C** **PLAN SECTION - TORAH ASSEMBLY**  
 1-1/2" = 12" REF: NONE

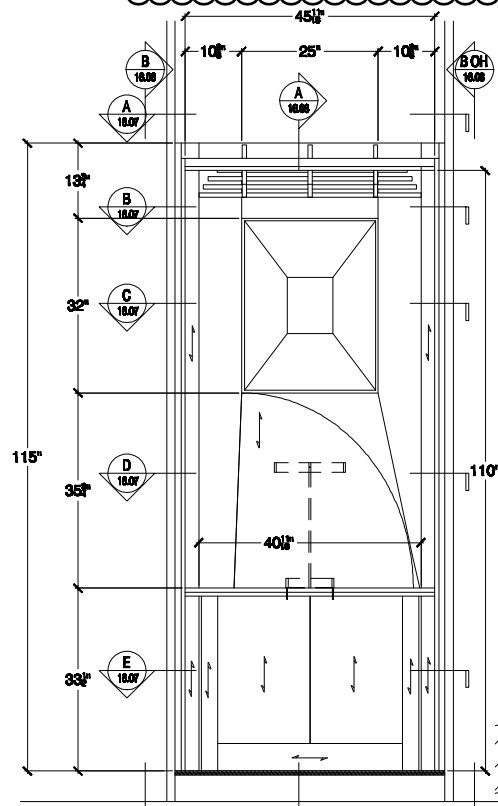


**D** **PLAN SECTION - TORAH ASSEMBLY**  
 1-1/2" = 12" REF: NONE

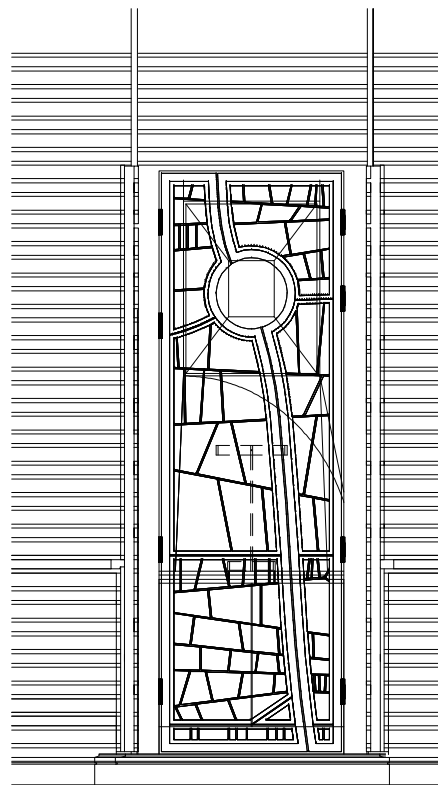


**E** **PLAN SECTION - TORAH ASSEMBLY**  
 1-1/2" = 12" REF: NONE

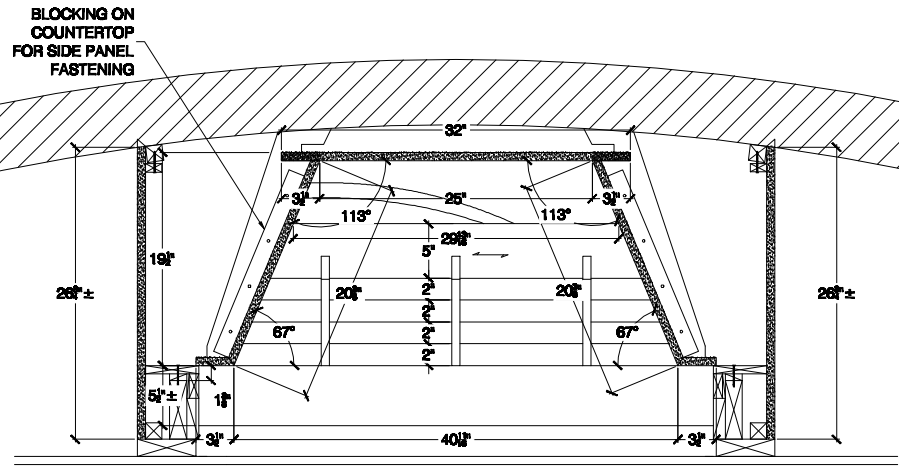
**NOTE: DOORS AND SURROUNDING SLATS NOT SHOWN FOR CLARITY.**



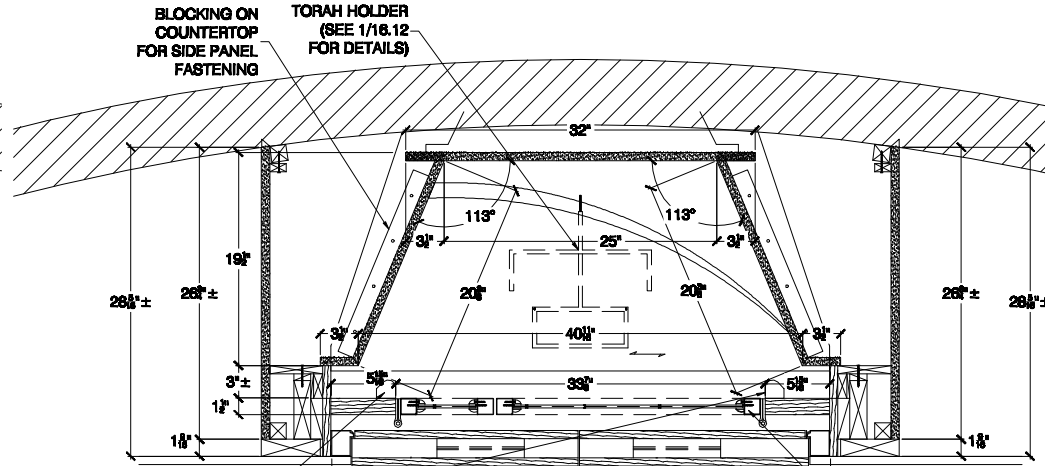
**1 DETAIL ELEVATION**  
18.07/ALT 3/4" = 1" REF: NONE



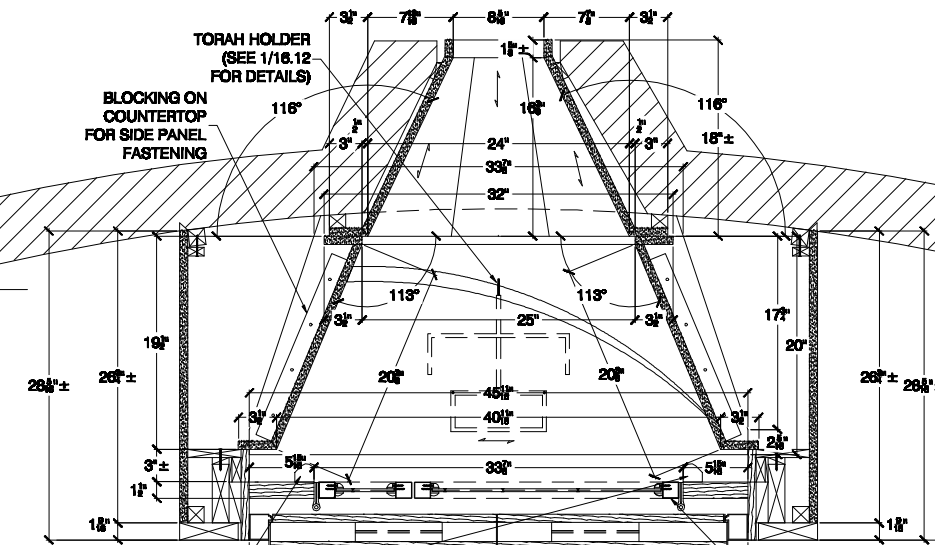
**2 DETAIL ELEVATION W/DOORS**  
18.07/ALT 3/4" = 1" REF: NONE



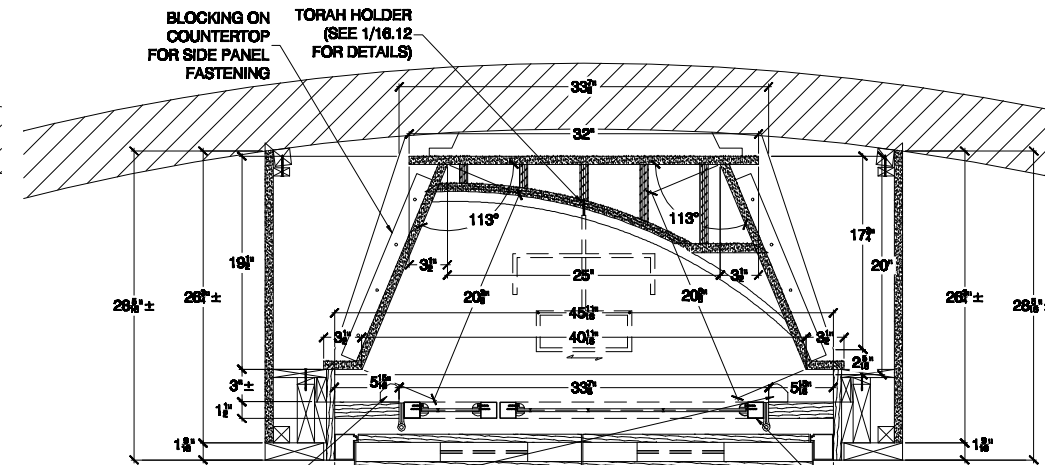
**A PLAN SECTION - TORAH ASSEMBLY**  
18.07/ALT 1-1/2" = 1" REF: NONE



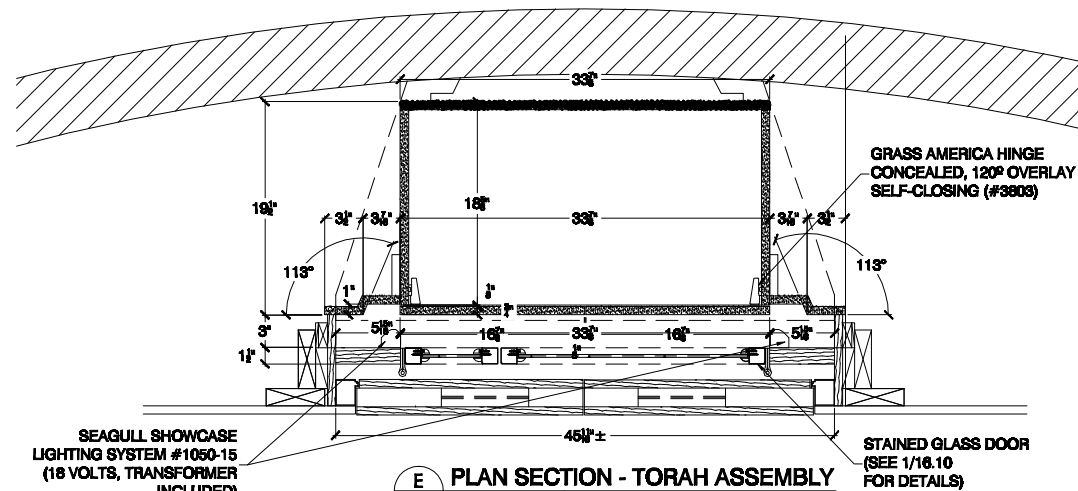
**B PLAN SECTION - TORAH ASSEMBLY**  
18.07/ALT 1-1/2" = 1" REF: NONE



**C PLAN SECTION - TORAH ASSEMBLY**  
18.07/ALT 1-1/2" = 1" REF: NONE

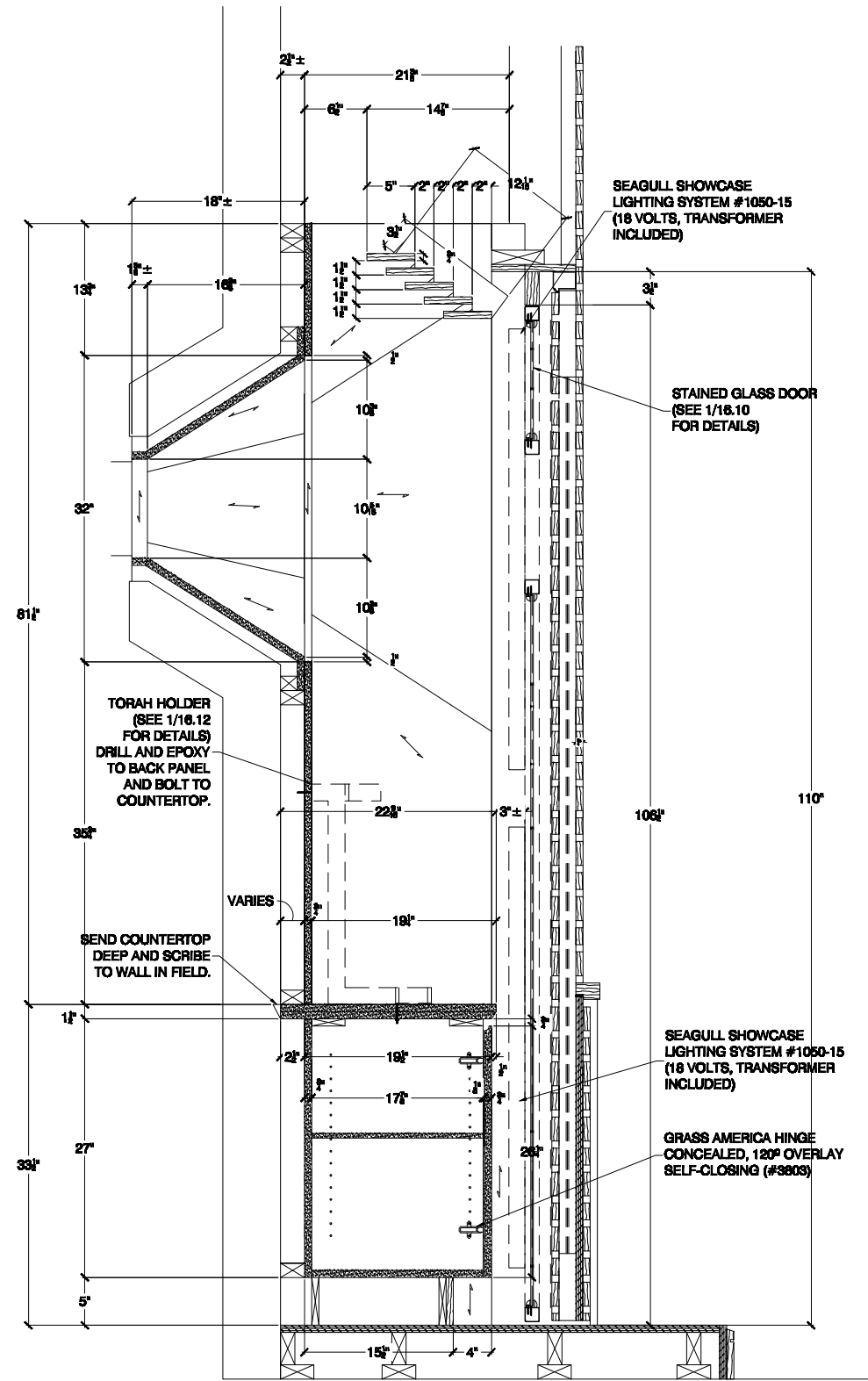


**D PLAN SECTION - TORAH ASSEMBLY**  
18.07/ALT 1-1/2" = 1" REF: NONE

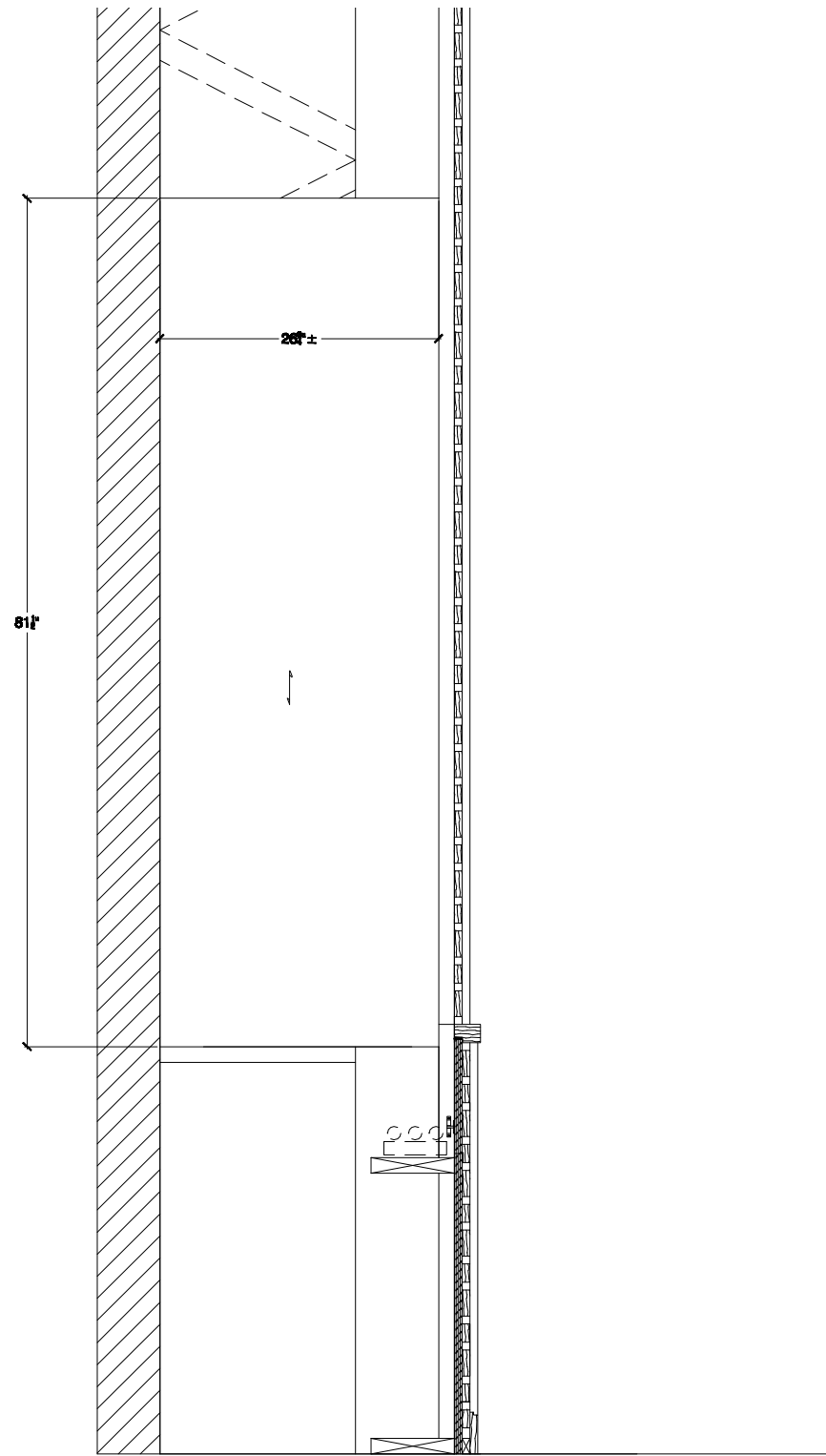


**E PLAN SECTION - TORAH ASSEMBLY**  
18.07/ALT 1-1/2" = 1" REF: NONE



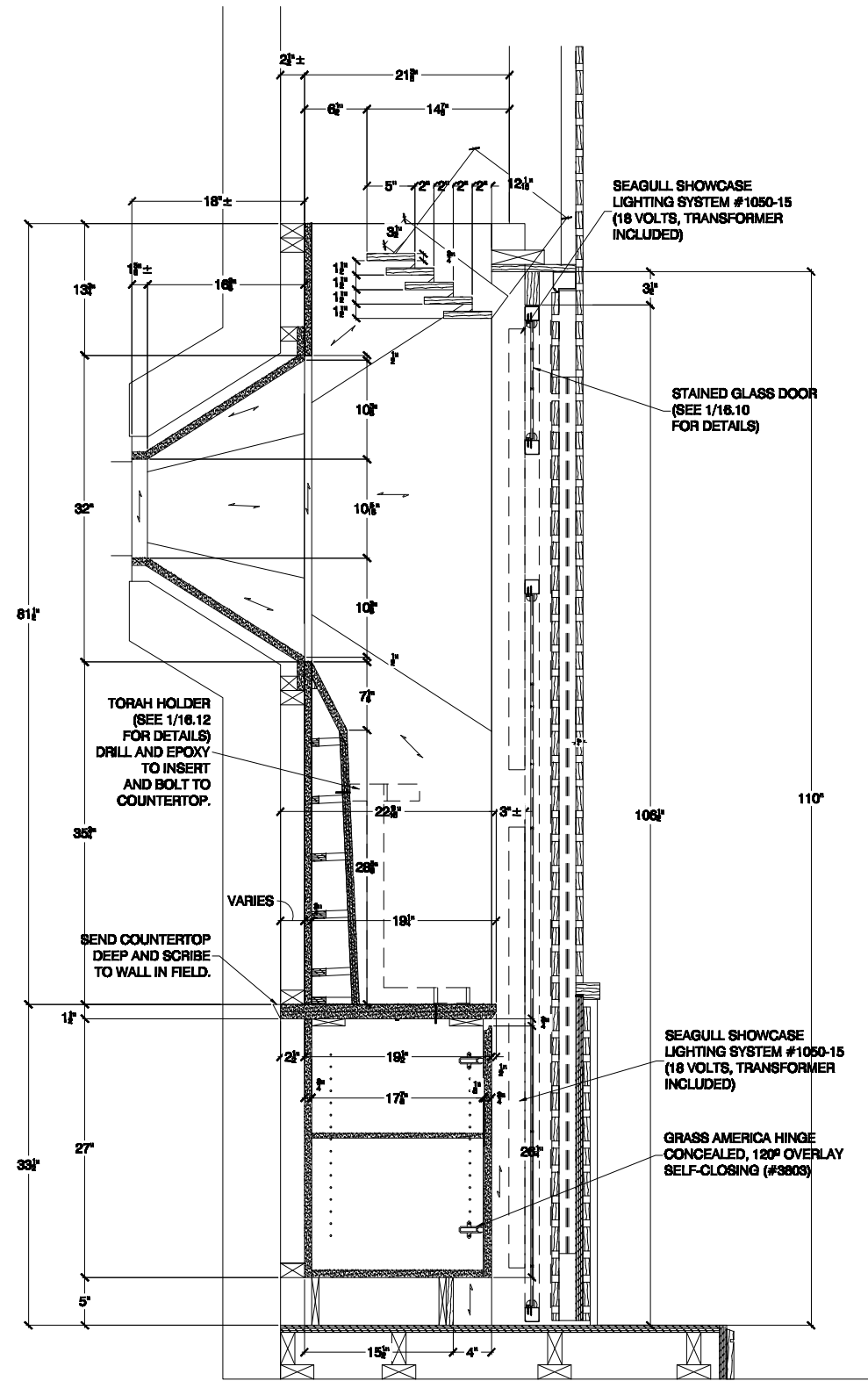


**A** VERTICAL SECTION - TORAH ASSEMBLY  
 18.08 1-1/2" = 1" REF: NONE

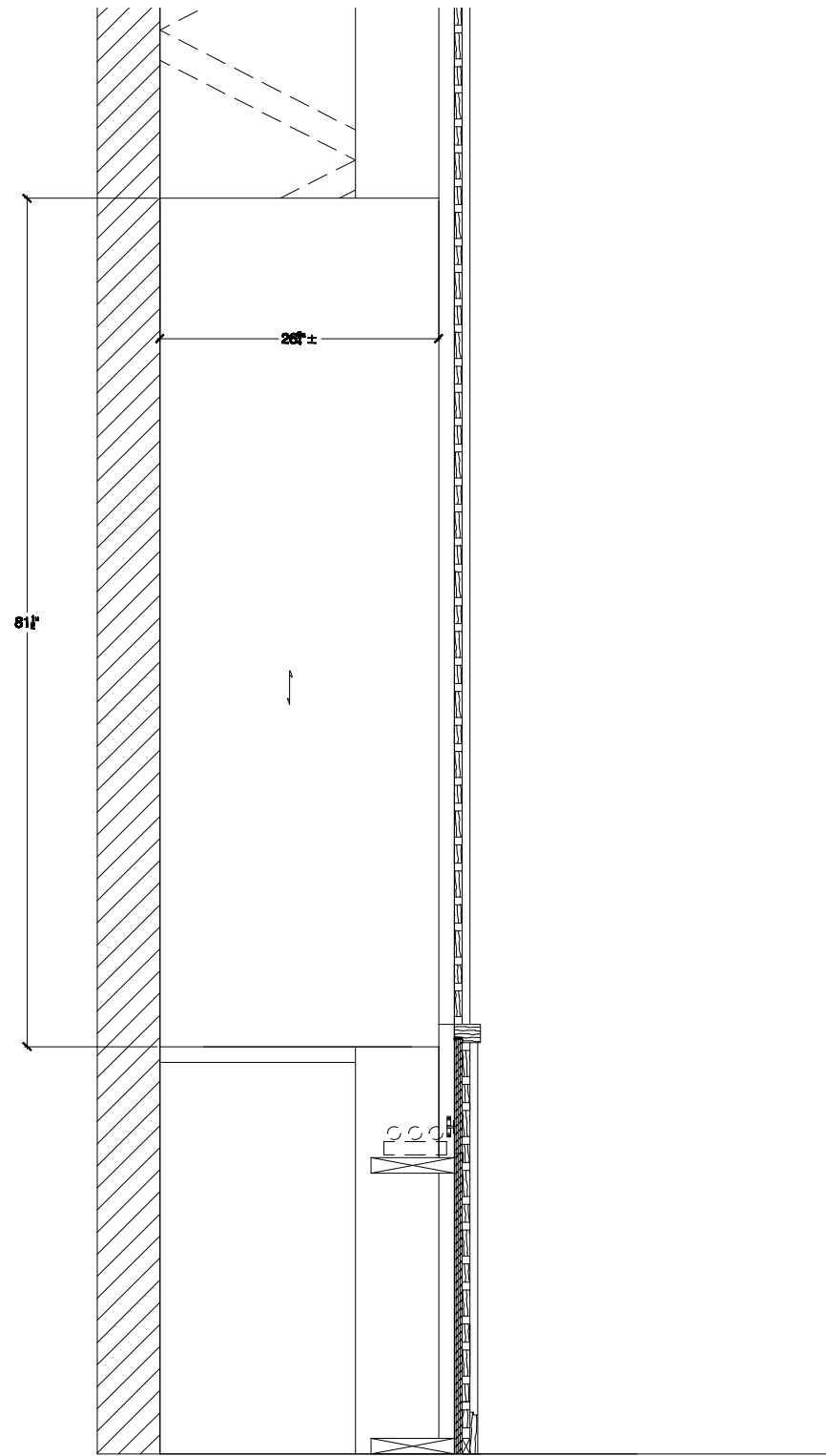


**B** VERTICAL SECTION - CLOSURE PANEL  
 18.08 1-1/2" = 1" REF: NONE

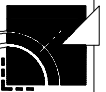


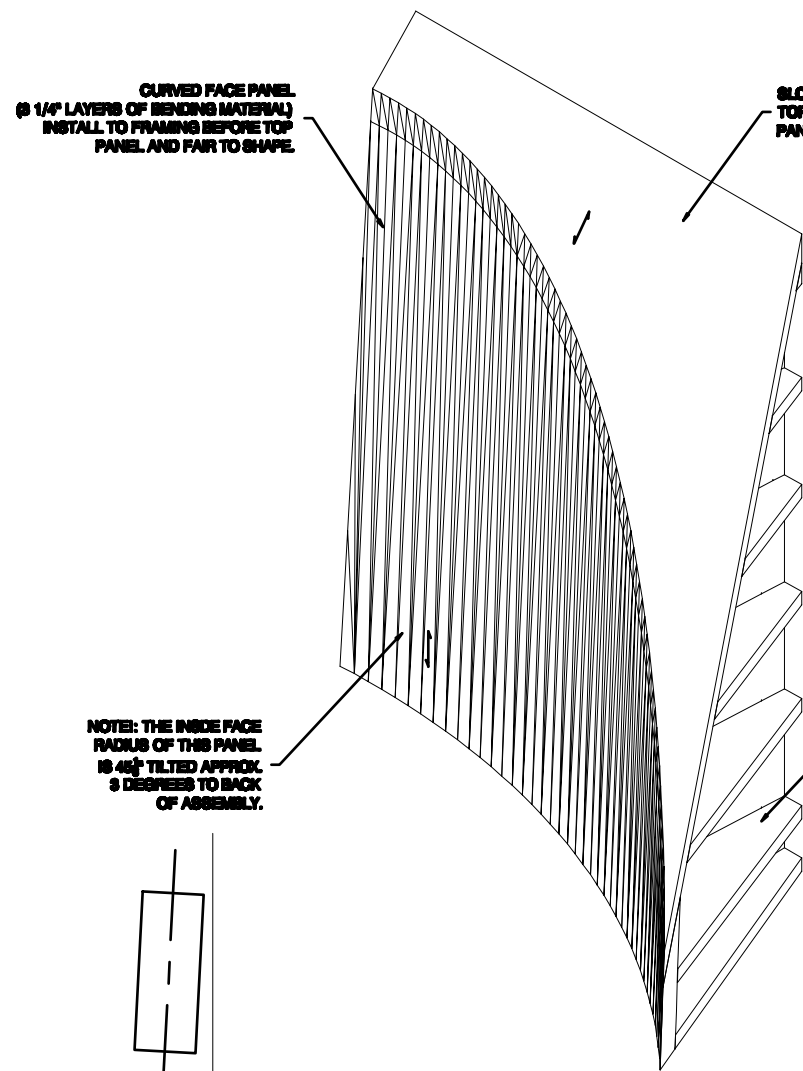


**A** VERTICAL SECTION - TORAH ASSEMBLY  
1/8" = 1" REF: NONE

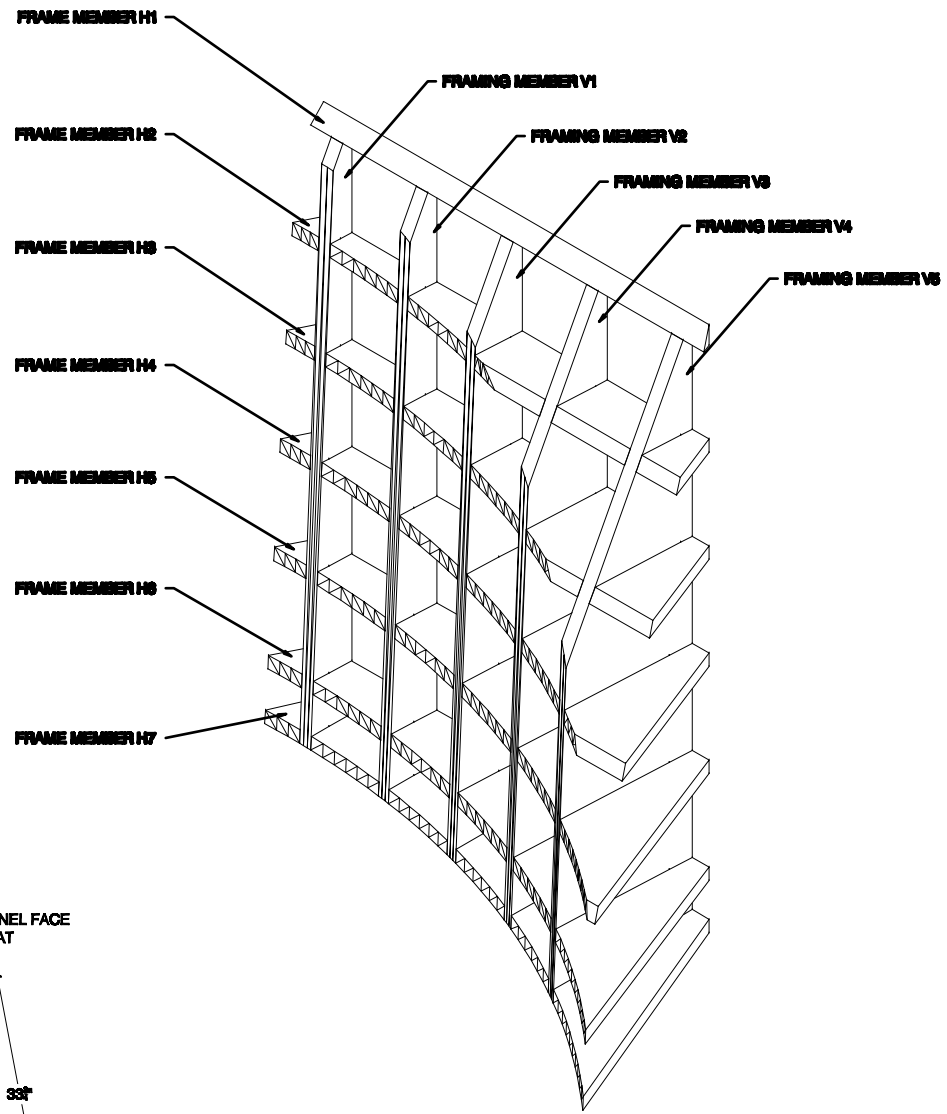


**B** VERTICAL SECTION - CLOSURE PANEL  
1/8" = 1" REF: NONE



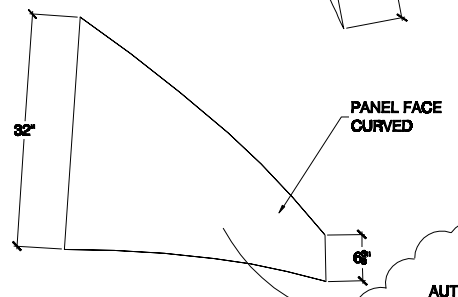
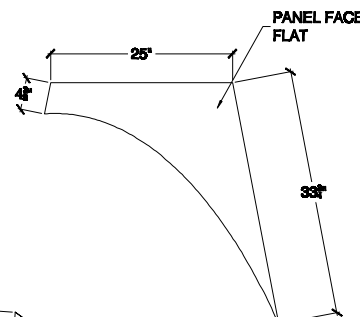


NOTE: CUT PANELS  
LONG AND SHIP WITH 1" OVERHANG  
AT SIDES OF INSERT, SCRIVE IN FIELD  
TO FINISHED SIDE PANELS.



**A** TORAH ASSEMBLY INSERT  
18.00 1/4" = 1" REF: NONE

**B** TORAH ASSEMBLY INSERT (PANELS REMOVED)  
18.00 1/4" = 1" REF: NONE

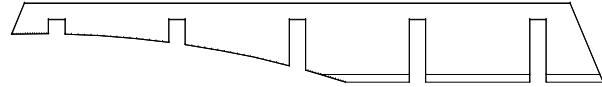


NOTE: DUE TO  
AUTOCADS LIMITATIONS  
WE CANNOT ACCURATELY  
PROJECT THE FLATTENED  
SHAPE OF THIS PANEL, IT HAS TO  
BE CUT TO SHAPE ON THE SUPPORT  
FRAME.

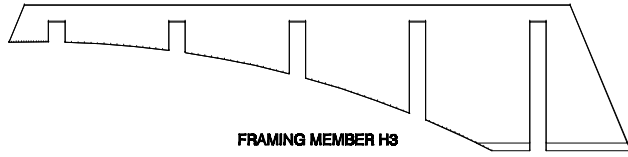
**C** TORAH ASSEMBLY PANELS  
18.00 1" = 12" REF: NONE



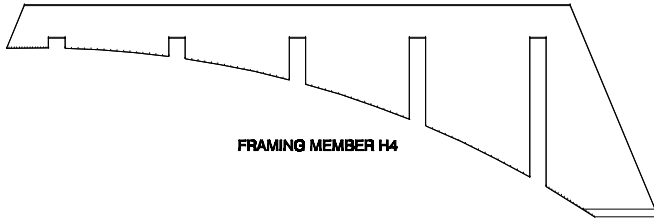
FRAMING MEMBER H1



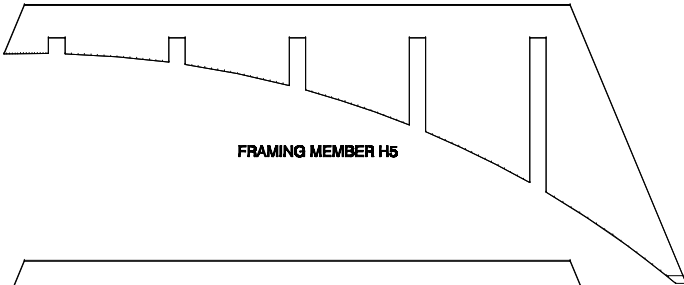
FRAMING MEMBER H2



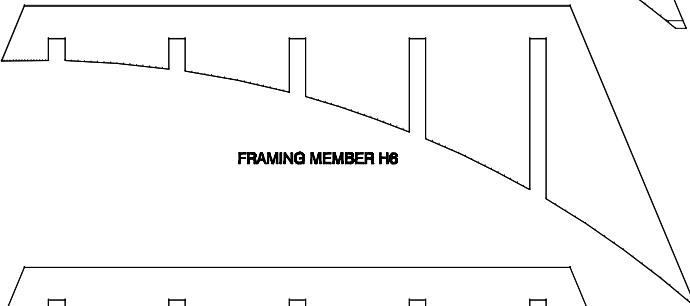
FRAMING MEMBER H3



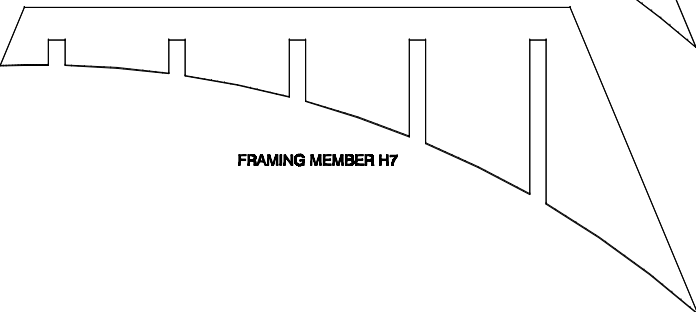
FRAMING MEMBER H4



FRAMING MEMBER H5

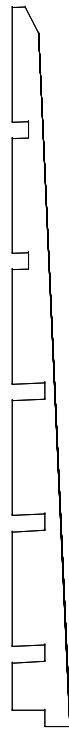


FRAMING MEMBER H6

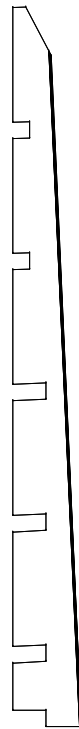


FRAMING MEMBER H7

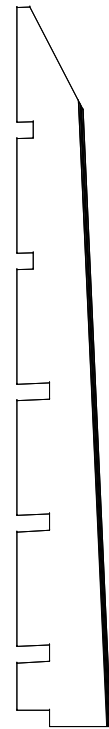
**NOTE: CUT TEMPLATES  
AND/OR CAD MODELS  
AVAILABLE UPON REQUEST.**



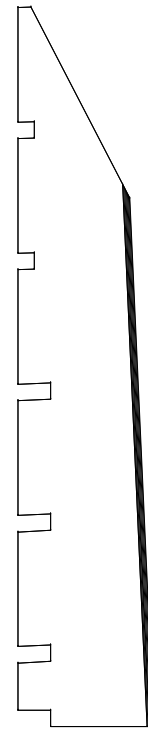
FRAMING MEMBER V1



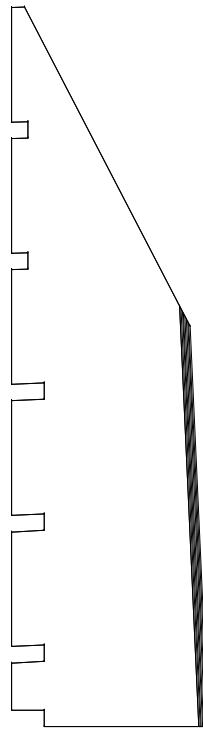
FRAMING MEMBER V2



FRAMING MEMBER V3



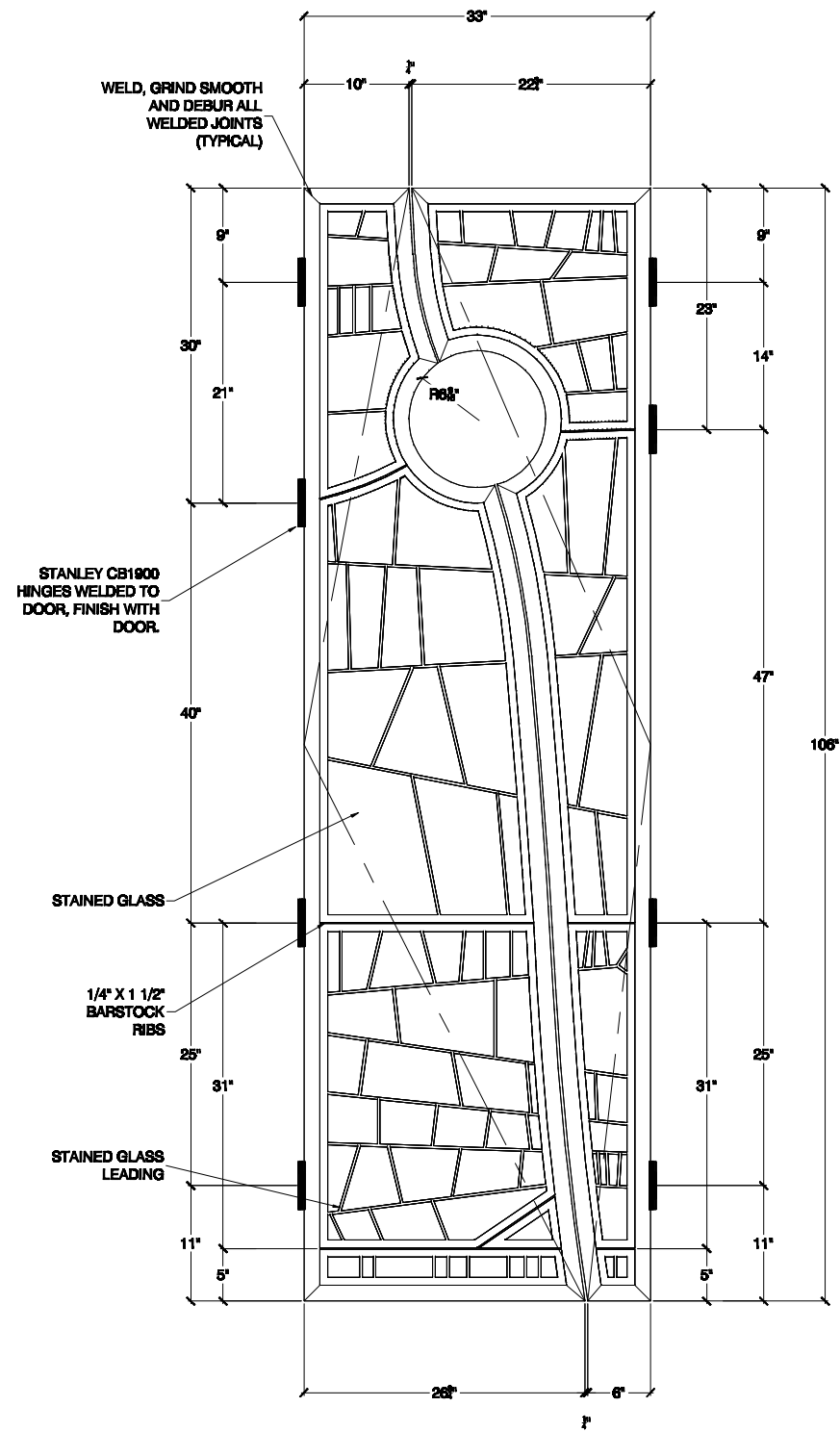
FRAMING MEMBER V4



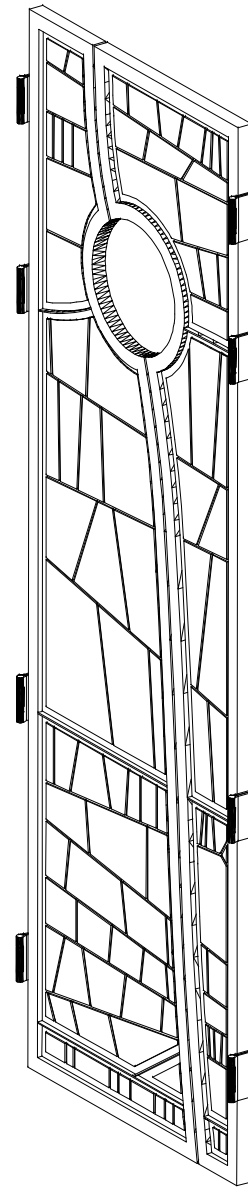
FRAMING MEMBER V5

**A** **DETAIL - FRAMING MEMBERS**  
18.10 3" = 12" REF: NONE

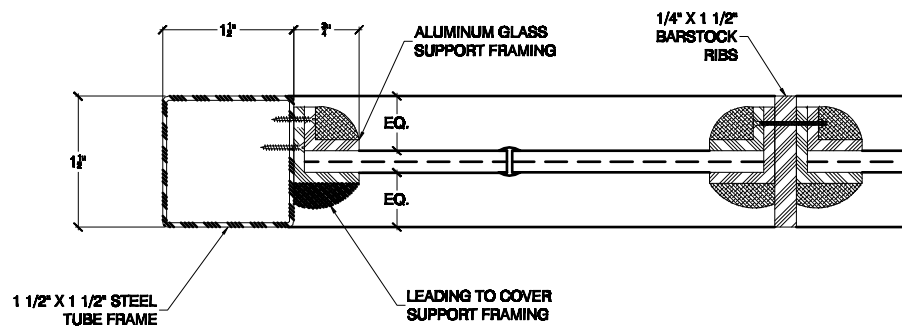




**1** **DETAIL ELEVATION - TORAH ASSEMBLY INNER DOOR**  
1/8" = 1' REF: NONE

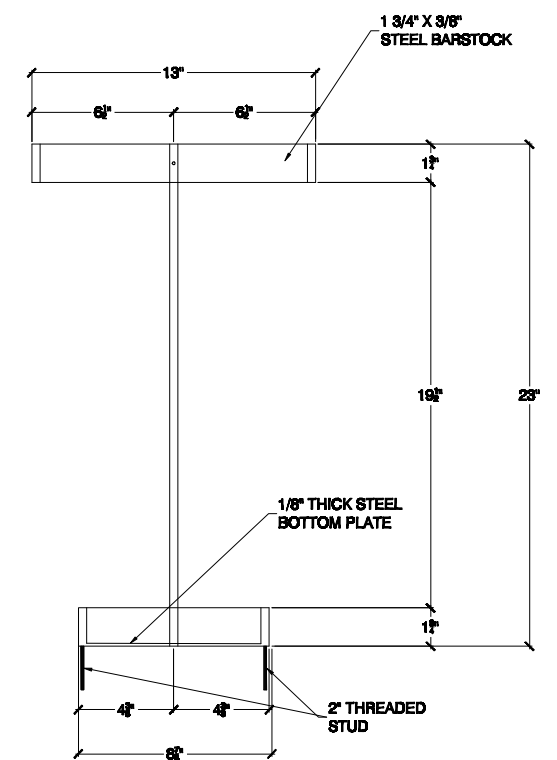
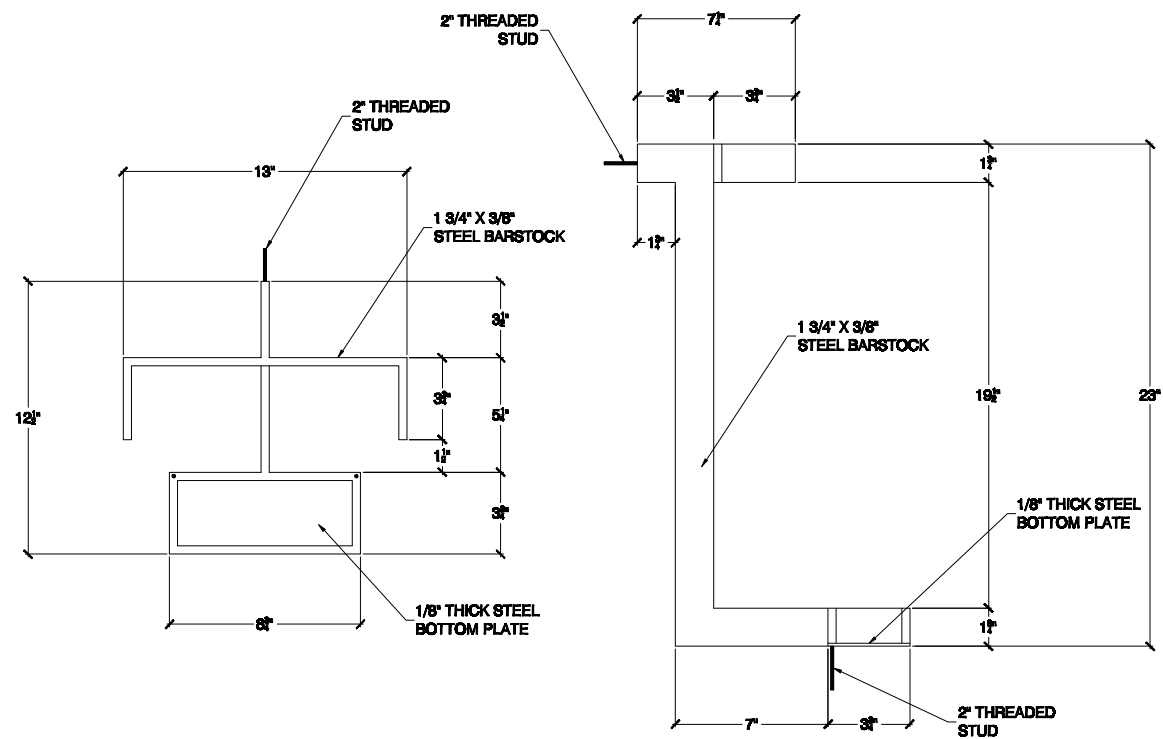


**B** **ISO VIEW - TORAH ASSEMBLY INNER DOOR**  
1/8" = 1' REF: NONE

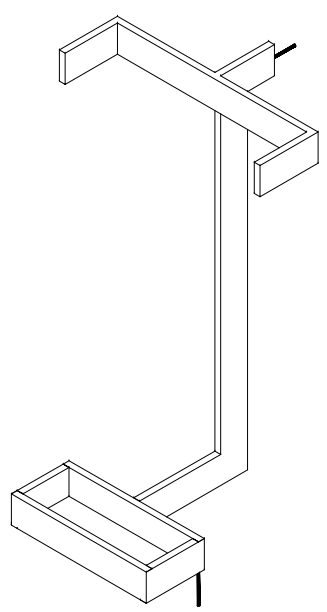


**A** **CONSTRUCTION DETAIL - TORAH ASSEMBLY INNER DOOR**  
1/8" = 1' REF: NONE





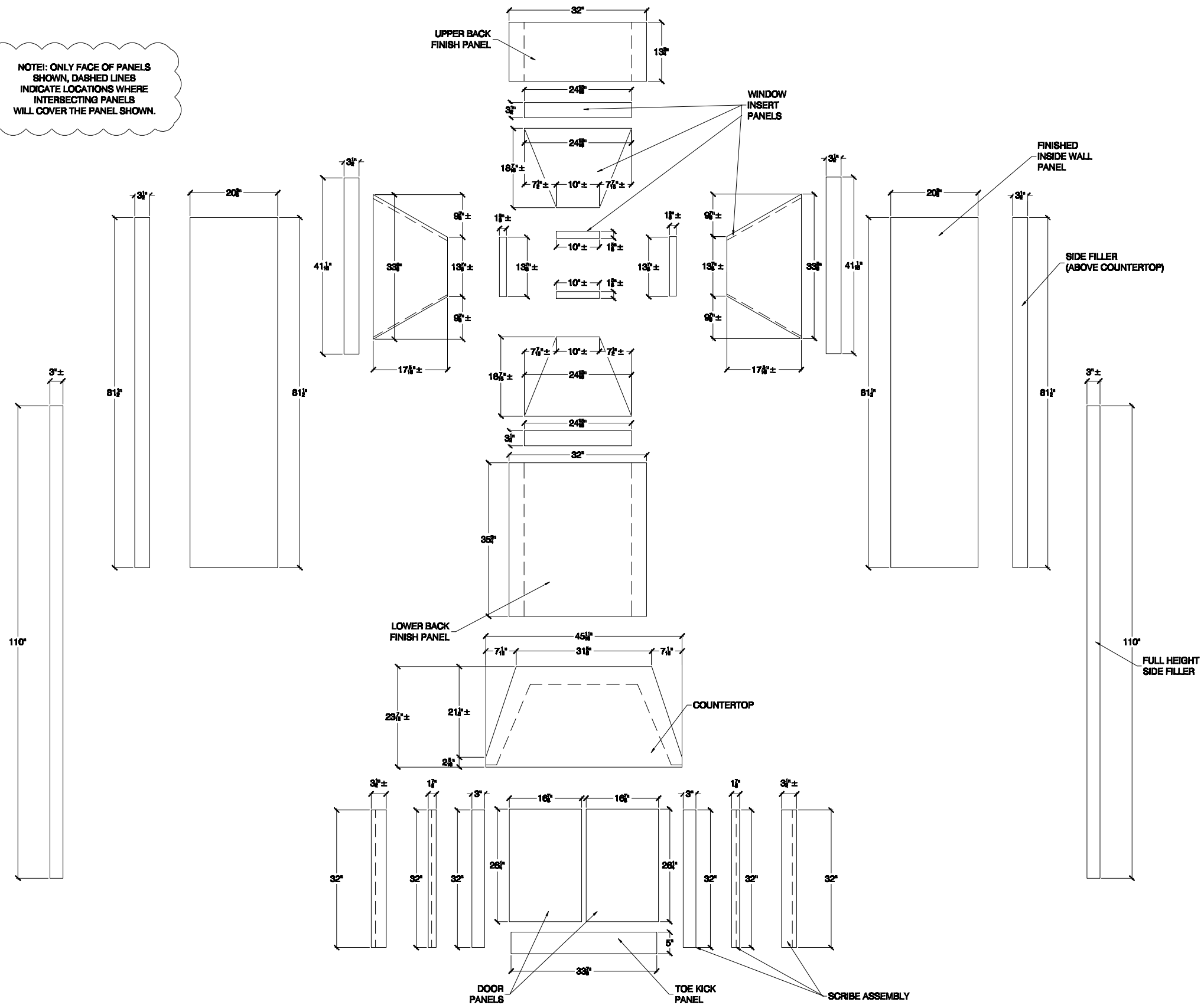
**A** TORAH HOLDER  
 18.12 8" - 12" REF: NONE



**B** ISO VIEW - TORAH HOLDER  
 18.12 8" - 12" REF: NONE



NOTE: ONLY FACE OF PANELS SHOWN, DASHED LINES INDICATE LOCATIONS WHERE INTERSECTING PANELS WILL COVER THE PANEL SHOWN.



A TORAH ASSEMBLY PANEL LAYOUT GUIDE  
1" = 12" REF: NONE